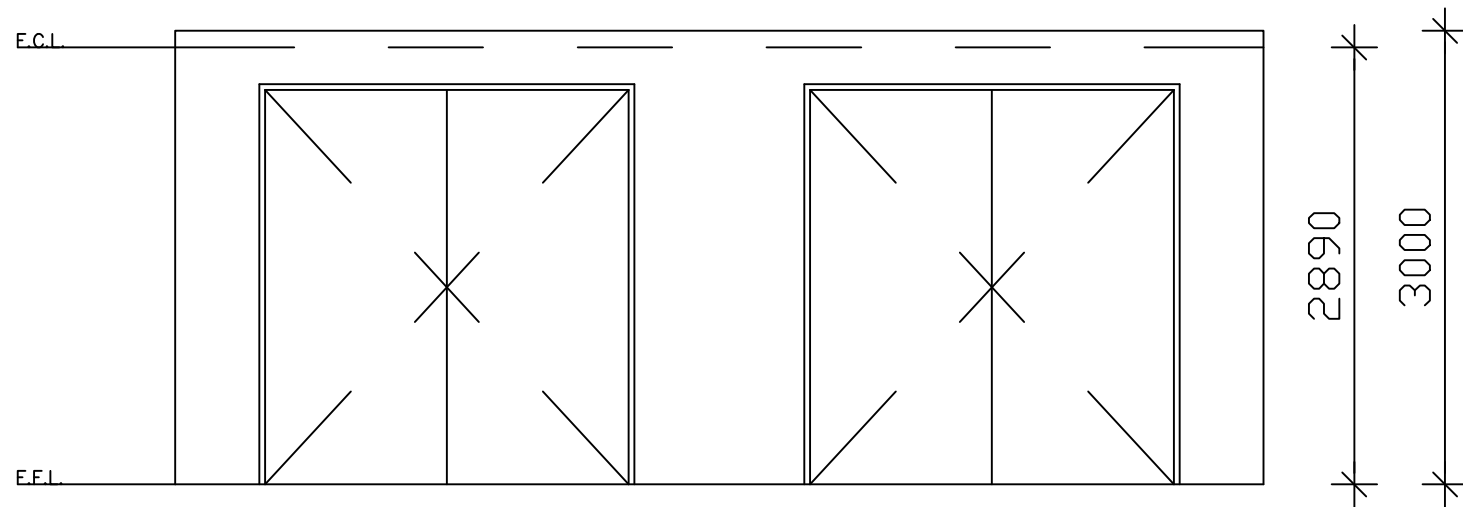
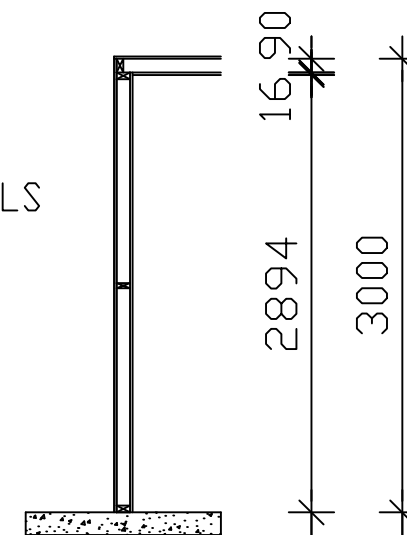


NOTES:

NO FIXINGS ARE TO PENETRATE EXISTING CONCRETE FLOOR SLAB EXCEPT:-
 MASONRY ANCHORS TO SECURE TIMBER BOTTOM PLATE TO EXISTING FLOOR SLAB



16mm SHIPLAPPED MgO BOARD CLADDING INSTALLED TO INTERNAL AND EXTERNAL WALLS
 INTERNAL CEILING
 DOOR JAMB AND HEAD TO MANUFACTURERS SPECIFICATION



COPYRIGHT ©

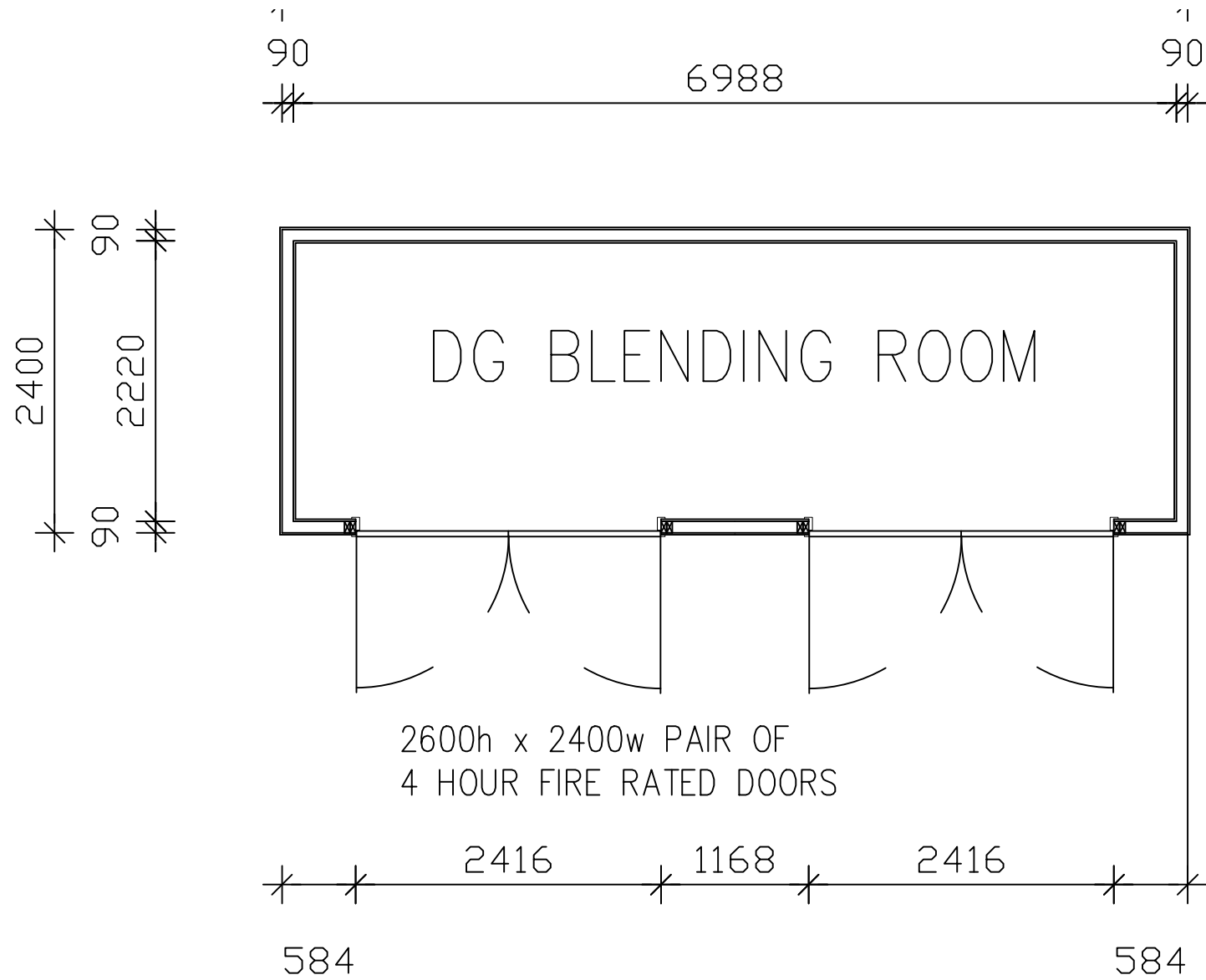
BUILDING OWNER'S BUILDERS
 SIGNATURE SIGNATURE
 DATE DATE

Issue	Date	Amendment	Drawn
C	18 JUL	TIMBER SPECIFICATION ADDED	AJS
C	16 FEB	16mm MgO BOARD TO REPLACE 10mm MgO BOARD	AJS
B	12 FEB	FIRE DOORS ADDED	AJS

PROJECT Proposed DG Blending Room

DATE: July 2020
 SCALE: 1:50
 DRAWN: A.J.S.
 CHECKED: A.J.S.

PROJ. NO. DRG. NO.
 SHEET NO. ISSUE
 2 of 2 D



TIMBER SPECIFICATION		
ELEMENTS	SIZE	SPAN/SPACING
COMMON STUD	90 x 35 MGP10	SPACING UP TO 600 CRS.
COMMON DOUBLE STUD / POST	90 x 90 MGP10	SPACING UP TO 1200 CRS.
TOP PLATE	42 x 90 LVL F15 SMARTFRAME	
BOTTOM PLATE	42 x 90 LVL F15 SMARTFRAME	
NOGGING	90 x 35 MGPO 10	LOCATED CENTRALLY
JAMB STUDS - 2.7m	2/90 x 42 LVL F15 SMARTFRAME	OPENING UP TO 2800 Max.
LINTELS	190 x 42 LVL F15 SMARTFRAME	OPENING UP TO 2800 Max.
CEILING JOISTS	90 x 42 LVL F15 SMARTFRAME	SPACING UP TO 600 CRS.

COPYRIGHT ©

BUILDING OWNER'S BUILDERS SIGNATURE SIGNATURE DATE DATE	PROJECT Proposed DG Blending Room	DATE: July 2020 SCALE: 1:50 RAWN: A.J.S. CHECKED: A.J.S.	PROJ. NO. 2020 DRG. NO. FAB	SHEET NO. 1 OF 2 ISSUE D																
<table border="1" style="width: 100%; border-collapse: collapse;"> <thead> <tr> <th style="width: 5%;">Issue</th> <th style="width: 10%;">Date</th> <th style="width: 70%;">Amendment</th> <th style="width: 15%;">Drawn</th> </tr> </thead> <tbody> <tr> <td>D</td> <td>18 JUL</td> <td>TIMBER SPECIFICATION ADDED</td> <td>AJS</td> </tr> <tr> <td>C</td> <td>14 FEB</td> <td>16mm MgO BOARD TO REPLACE 10mm MgO BOARD</td> <td>AJS</td> </tr> <tr> <td>B</td> <td>12 FEB</td> <td>FIRE DOORS ADDED</td> <td>AJS</td> </tr> </tbody> </table>	Issue	Date	Amendment	Drawn	D	18 JUL	TIMBER SPECIFICATION ADDED	AJS	C	14 FEB	16mm MgO BOARD TO REPLACE 10mm MgO BOARD	AJS	B	12 FEB	FIRE DOORS ADDED	AJS				
Issue	Date	Amendment	Drawn																	
D	18 JUL	TIMBER SPECIFICATION ADDED	AJS																	
C	14 FEB	16mm MgO BOARD TO REPLACE 10mm MgO BOARD	AJS																	
B	12 FEB	FIRE DOORS ADDED	AJS																	